

CPS606 Complete Kit

Series

CPS606

Cover Sheet

EN1500 Series

6" Wide EN1500 Polymer Concrete Integrated Ductile Iron Edge Trench Drain Kit 10 - 99 Foot Complete



New Ductile Iron Edge Commercial Trench Drain 6 Inch Wide - C Class Ductile Iron Grates Standard

Complete system - Each Kit Includes:

Specified number of 1 meter sections of trench drain

Specified number of Ductile Iron Slotted Grates

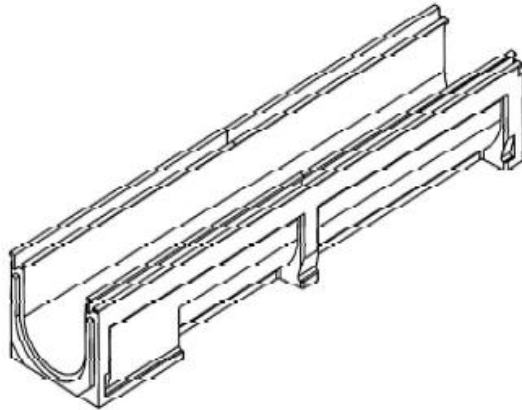
1 - Solid End Cap and 1 - 4" End Outlet

Key advantages of EN1500 Heavy Duty Trench Drain:

- 6" interior channel width accepts larger volume run off, increases storage capacity.
- Utilization of step fall channels create waterfall effect to promote channel cleansing.
- Built in PROFIX locking recess ensures positive grate securement .
- Exterior lateral ribs "lock" channel into surrounding concrete

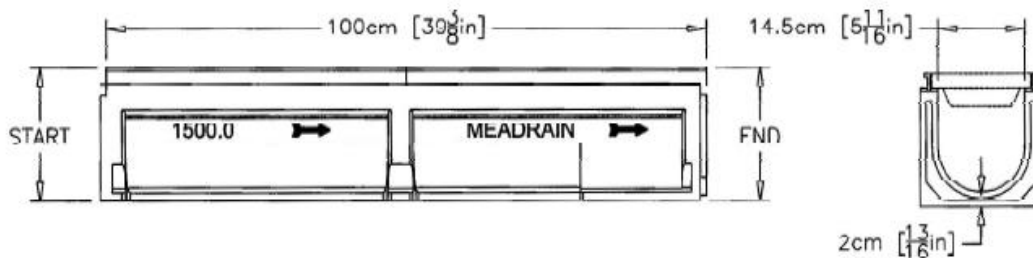
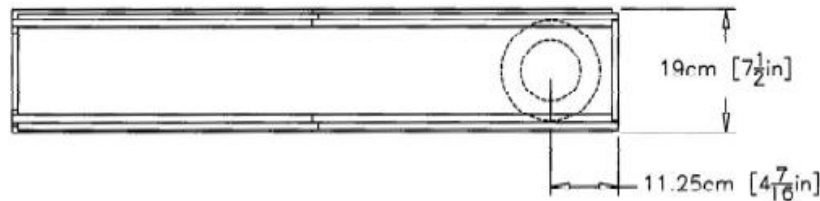
Quality engineered trench drain system

Number EN1500	Series CPS606 Polymer Concrete Drainage Channel
------------------------------------	---



TYPE	START	END
EN1500.0	8 ⁵ / ₈ in	8 ⁵ / ₈ in
	22cm	22cm
EN1510.0	10 ⁵ / ₈ in	10 ⁵ / ₈ in
	27cm	27cm
EN1520.0	12 ⁵ / ₈ in	12 ⁵ / ₈ in
	32cm	32cm
EN1500-10*	8 ⁵ / ₈ in	10 ⁵ / ₈ in
	22cm	27cm
EN1510-20 ⁺	10 ⁵ / ₈ in	12 ⁵ / ₈ in
	27cm	32cm

* BOTTOM OUTLET NOT AVAILABLE.



Manufacturer



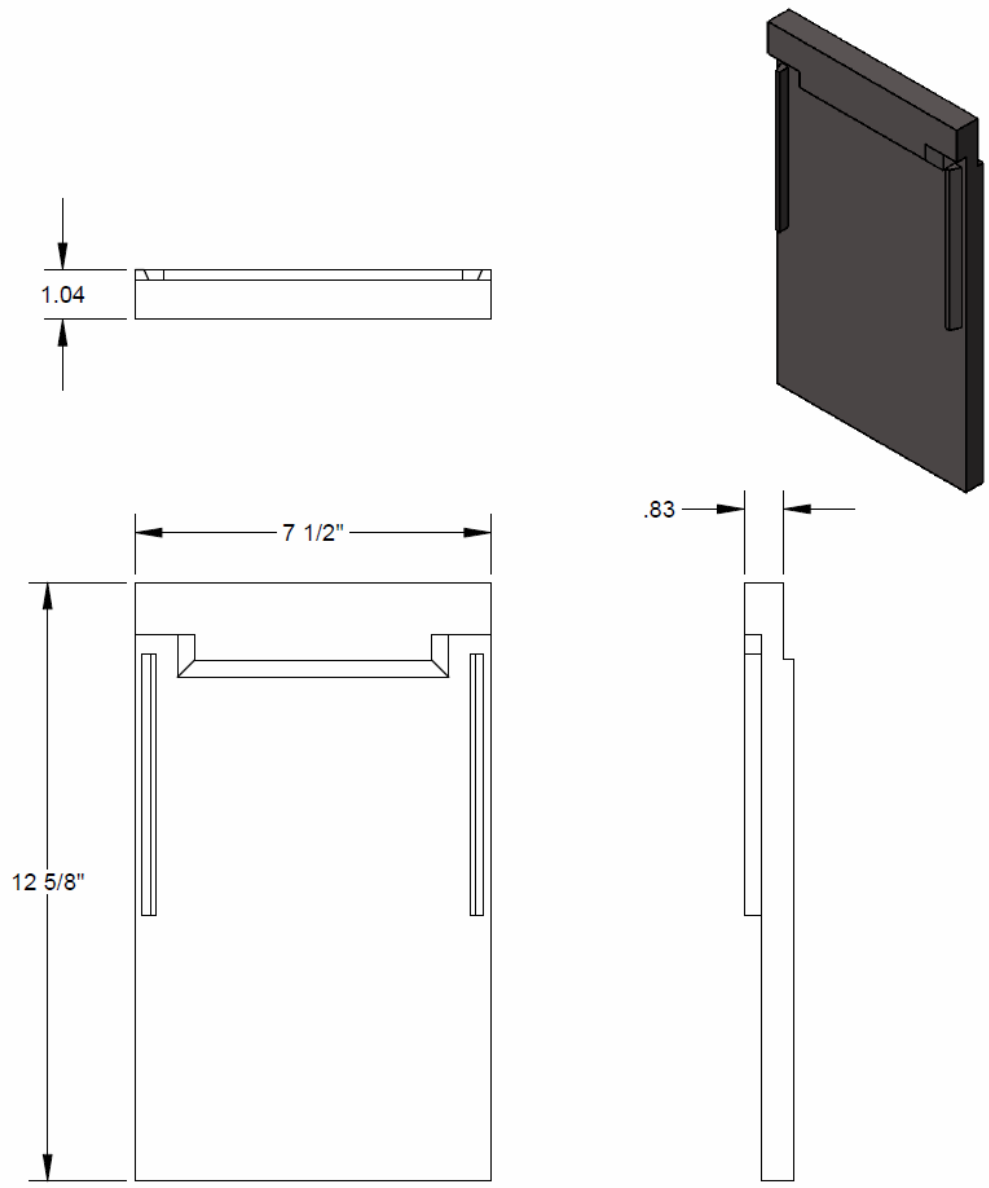
Quality engineered trench drain system


Specification

MEA-JOSAM EN1500 POLYMER CONCRETE DRAINAGE CHANNEL WITH BUILT IN CAST IRON EDGE, DUCTILE IRON GRATE, AND LOCK DEVICES. SUPPLIED BY TRENCH DRAIN SUPPLY.

DISCLAIMER - The customer and the customer's architects, engineers, consultants, and other professionals are completely responsible for the selection installation and maintenance of any product purchased from Trench Drain Supply and/or its manufacturers. TRENCH DRAIN SUPPLY MAKES NO WARRANTY, EXPRESS OR IMPLIED, AS TO THE SUITABILITY, DESIGN, MERCHANTABILITY, OR FITNESS OF THE PRODUCT FOR CUSTOMERS APPLICATION. The drawing and information provided remain the property and copyright of the manufacturer listed. The manufacturer reserves the right to modify specification without notice.

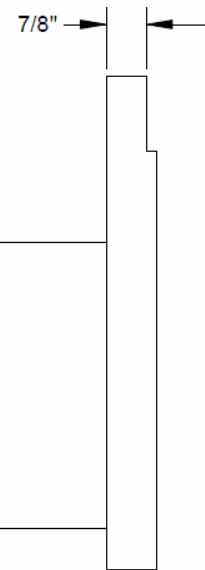
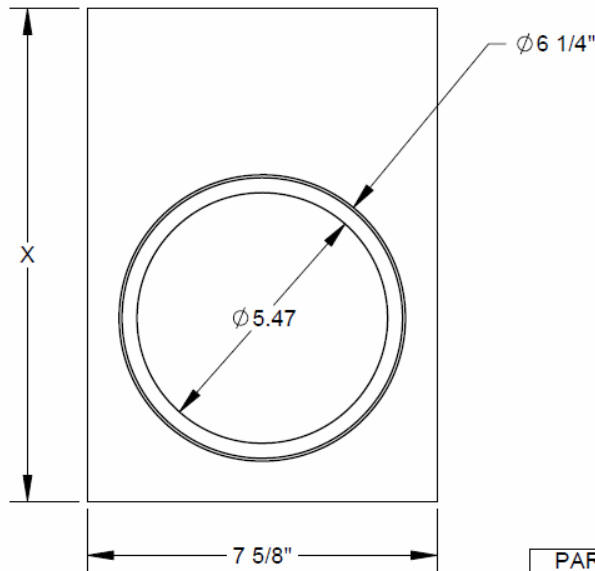
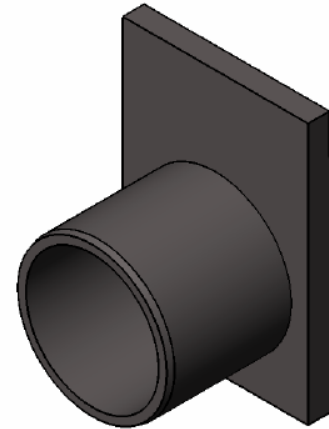
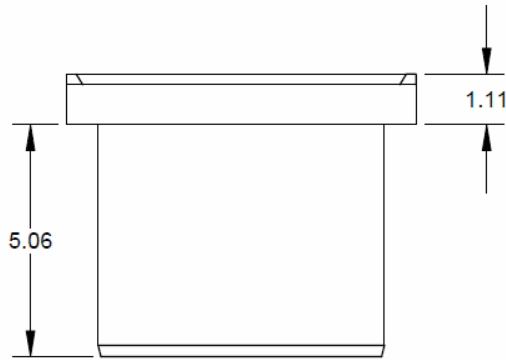
<p>Number</p> <p style="text-align: center;">153143</p>	<p>Series</p> <p style="text-align: center;">CPS606 EN1500 Series End Cap</p>
---	---



<p>Manufacturer</p> <div style="border: 1px solid black; padding: 5px; text-align: center;">  </div> <p>Quality engineered trench drain system</p>	<p>Specification</p> <p>MEA-JOSAM END CAP FOR EN1500 SERIES POLYMER CONCRETE TRENCH DRAIN SYSTEM. CAN BE USED FOR CHANNEL START OR END. SUPPLIED BY TRENCH DRAIN SUPPLY.</p>
--	---

DISCLAIMER - The customer and the customer's architects, engineers, consultants, and other professionals are completely responsible for the selection installation and maintenance of any product purchased from Trench Drain Supply and/or its manufacturers. TRENCH DRAIN SUPPLY MAKES NO WARRANTY, EXPRESS OR IMPLIED, AS TO THE SUITABILITY, DESIGN, MERCHANTABILITY, OR FITNESS OF THE PRODUCT FOR CUSTOMERS APPLICATION. The drawing and information provided remain the property and copyright of the manufacturer listed. The manufacturer reserves the right to modify specification without notice.

<p>Number 153145 / 153147 / 153149</p>	<p>Series CPS606 EN1500 Series End Cap Outlet</p>
--	---



PART NUMBER	"X" DIMENSION
153145	10.75"
153147	12.75"
153149	14.75"

Manufacturer



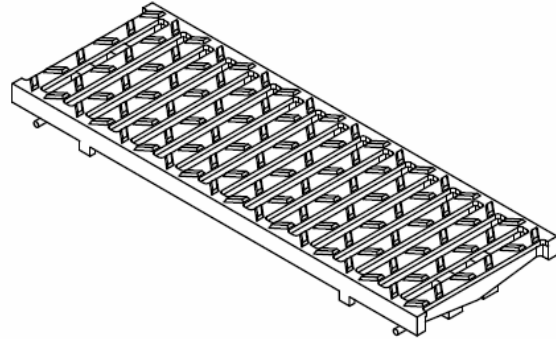
Quality engineered trench drain system

Specification

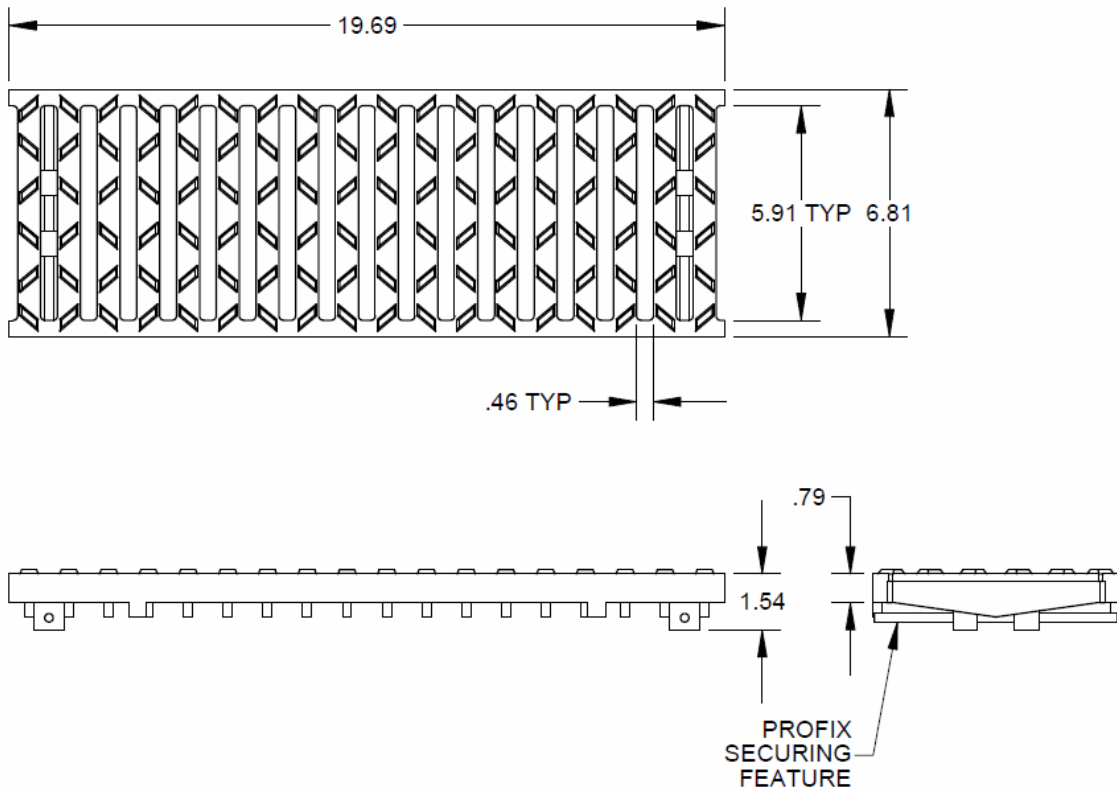
MEJA-JOSAM END CAP OUTLETS FOR ALL EN1500 CHANNELS. 6+ OUTLET IS MADE OF HDPE AND INCLUDES A SEALING RING. SUPPLIED BY TRENCH DRAIN SUPPLY.


DISCLAIMER - The customer and the customer's architects, engineers, consultants, and other professionals are completely responsible for the selection installation and maintenance of any product purchased from Trench Drain Supply and/or its manufacturers. TRENCH DRAIN SUPPLY MAKES NO WARRANTY, EXPRESS OR IMPLIED, AS TO THE SUITABILITY, DESIGN, MERCHANTABILITY, OR FITNESS OF THE PRODUCT FOR CUSTOMERS APPLICATION. The drawing and information provided remain the property and copyright of the manufacturer listed. The manufacturer reserves the right to modify specification without notice.

Number <p style="text-align: center;">153153</p>	Series <p style="text-align: center;">CPS606 C Class Ductile Iron Grate Profix</p>
---	---



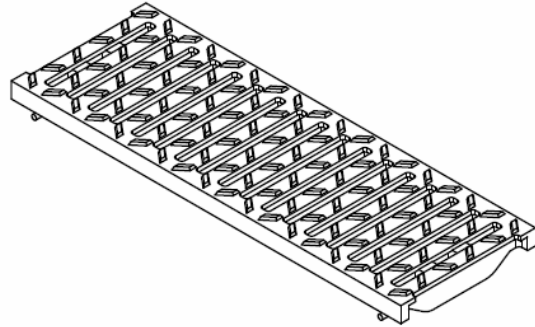
NOTE:
FREE AREA 48.5 SQ. IN.



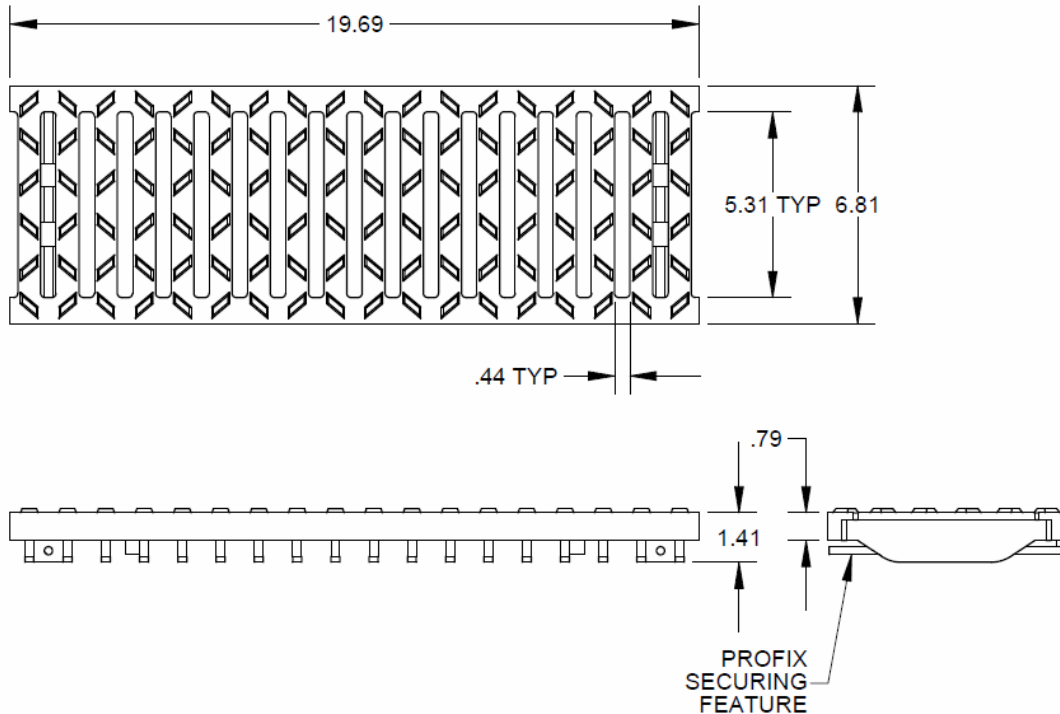
Manufacturer  Quality engineered trench drain system	Specification MEA-JOSAM DUCTILE IRON GRATE WITH PROFIX SECURING FEATURE. FITS EN1500 SERIES CHANNELS. MEETS LOAD CLASS C REQUIREMENTS. SUPPLIED BY TRENCH DRAIN SUPPLY.
--	---


DISCLAIMER - The customer and the customer's architects, engineers, consultants, and other professionals are completely responsible for the selection installation and maintenance of any product purchased from Trench Drain Supply and/or its manufacturers. TRENCH DRAIN SUPPLY MAKES NO WARRANTY, EXPRESS OR IMPLIED, AS TO THE SUITABILITY, DESIGN, MERCHANTABILITY, OR FITNESS OF THE PRODUCT FOR CUSTOMERS APPLICATION. The drawing and information provided remain the property and copyright of the manufacturer listed. The manufacturer reserves the right to modify specification without notice.

<p>Number</p> <p style="text-align: center;">151171</p>	<p>Series</p> <p style="text-align: center;">CPS606</p> <p style="text-align: center;">F Class Ductile Iron Grate Profix</p>
---	--



NOTE:
FREE AREA 47.6 SQ. IN.

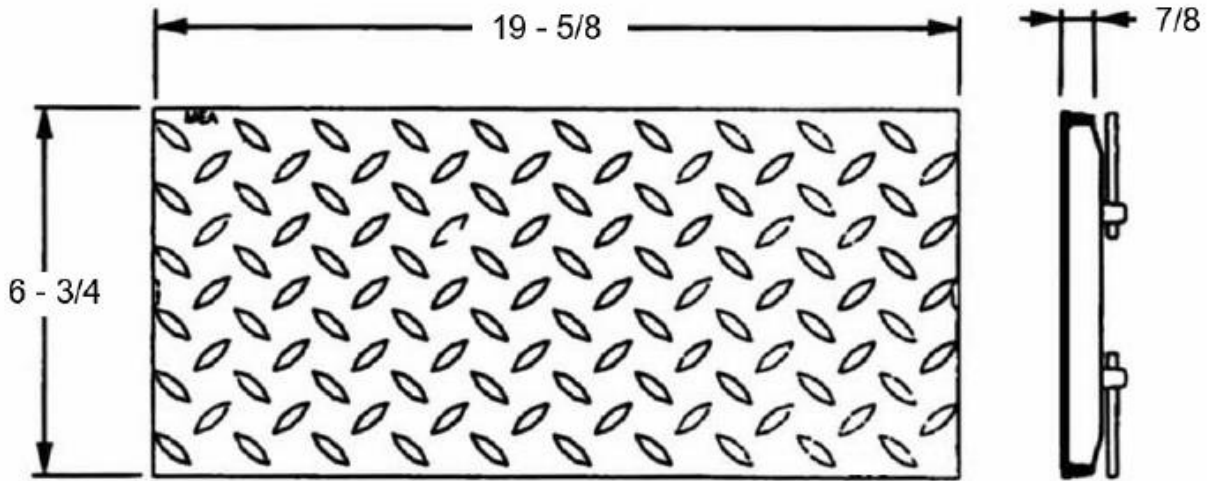


<p>Manufacturer</p> <div style="border: 1px solid black; padding: 5px; text-align: center;">  <p>MEA</p> </div> <p>Quality engineered trench drain system</p>	<p>Specification</p> <p>MEA-JOSAM SERIES EN1500 1/2 METER DUCTILE IRON GRATE WITH PROFIX LOCKING DEVICE. MEETS LOAD CLASS F REQUIREMENTS. SUPPLIED BY TRENCH DRAIN SUPPLY.</p>
--	---

DISCLAIMER - The customer and the customer's architects, engineers, consultants, and other professionals are completely responsible for the selection installation and maintenance of any product purchased from Trench Drain Supply and/or its manufacturers. TRENCH DRAIN SUPPLY MAKES NO WARRANTY, EXPRESS OR IMPLIED, AS TO THE SUITABILITY, DESIGN, MERCHANTABILITY, OR FITNESS OF THE PRODUCT FOR CUSTOMERS APPLICATION. The drawing and information provided remain the property and copyright of the manufacturer listed. The manufacturer reserves the right to modify specification without notice.

1-877-903-7246

Number 153157	Series CPS606 Ductile Iron Solid Cover Profix
------------------------------------	---



Manufacturer



Quality engineered trench drain system

Specification

MEA-JOSAM EN1500 SERIES HALF METER DUCTILE IRON COVER WITH PROFIX LOCKING DEVICE. SUPPLIED BY TRENCH DRAIN SUPPLY.

DISCLAIMER - The customer and the customer's architects, engineers, consultants, and other professionals are completely responsible for the selection installation and maintenance of any product purchased from Trench Drain Supply and/or its manufacturers. TRENCH DRAIN SUPPLY MAKES NO WARRANTY, EXPRESS OR IMPLIED, AS TO THE SUITABILITY, DESIGN, MERCHANTABILITY, OR FITNESS OF THE PRODUCT FOR CUSTOMERS APPLICATION. The drawing and information provided remain the property and copyright of the manufacturer listed. The manufacturer reserves the right to modify specification without notice.